

1. Finish Goods PKG photo



2. Packing method

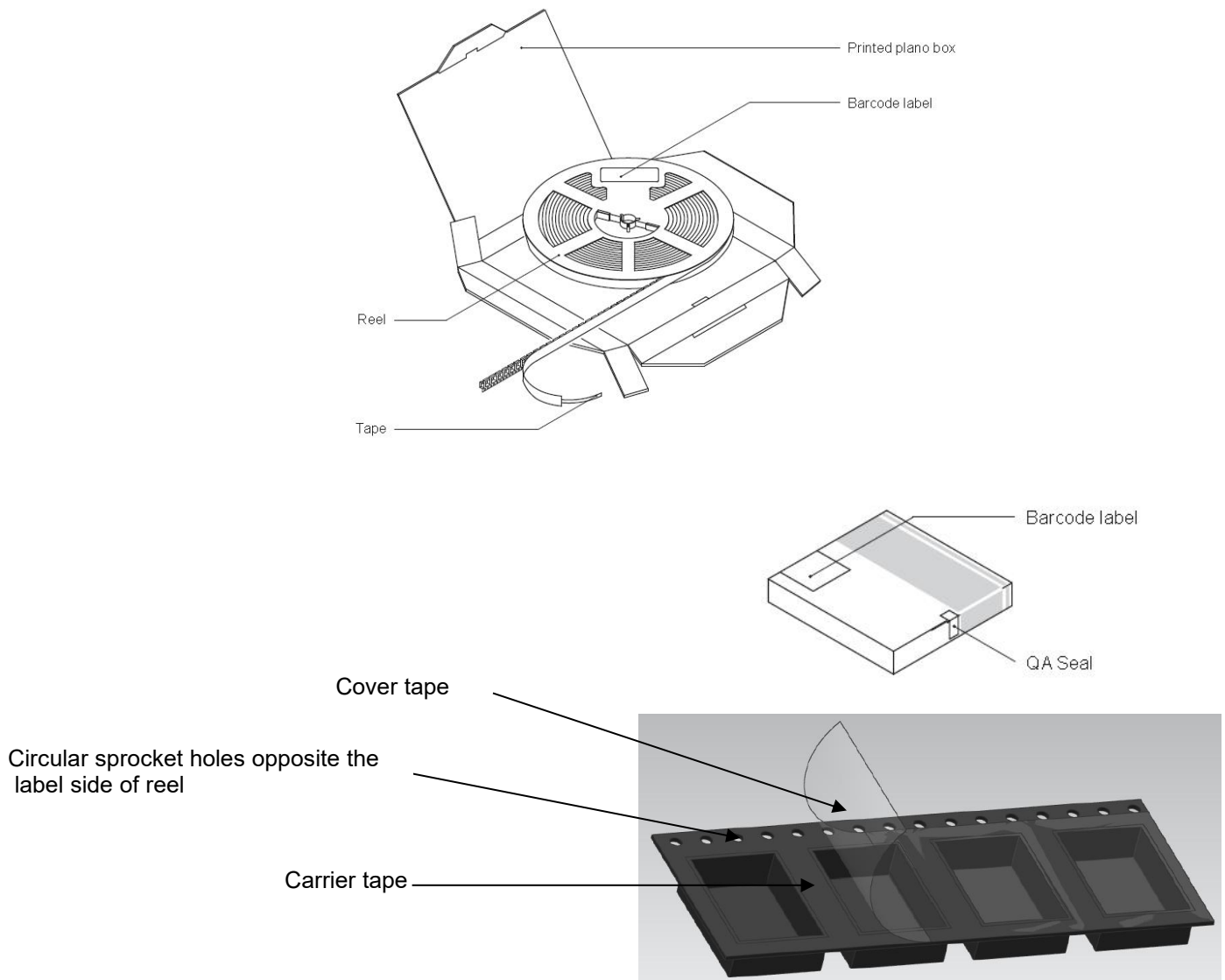


Fig.1- Reel pack for TOLL

TOLL Packing information

B152, Rev. -

Table 1. Packing information

Package version	Reel dimensions $\phi \times H$ (mm)	Per Reel (pcs)	Inner box weight (Kg)	Reels per box	Inner box dimensions L×W×H (mm)	Outer box (pcs)	Outer box dimensions L×W×H (mm)	Outer box weight (Kg)
TOLL	$\Phi 330 \times 30.4$	1800	2.16	1	336×336×48	14400	445×355×365	18.5

3. Product orientation

Standard product orientation TO-LL
TOLL-8L(6R))产品 PIN1 方向:

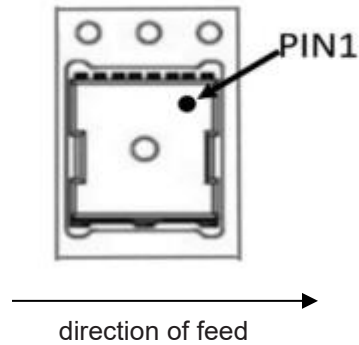


Fig 2. Product orientation in carrier tape

4. Carrier tape dimensions

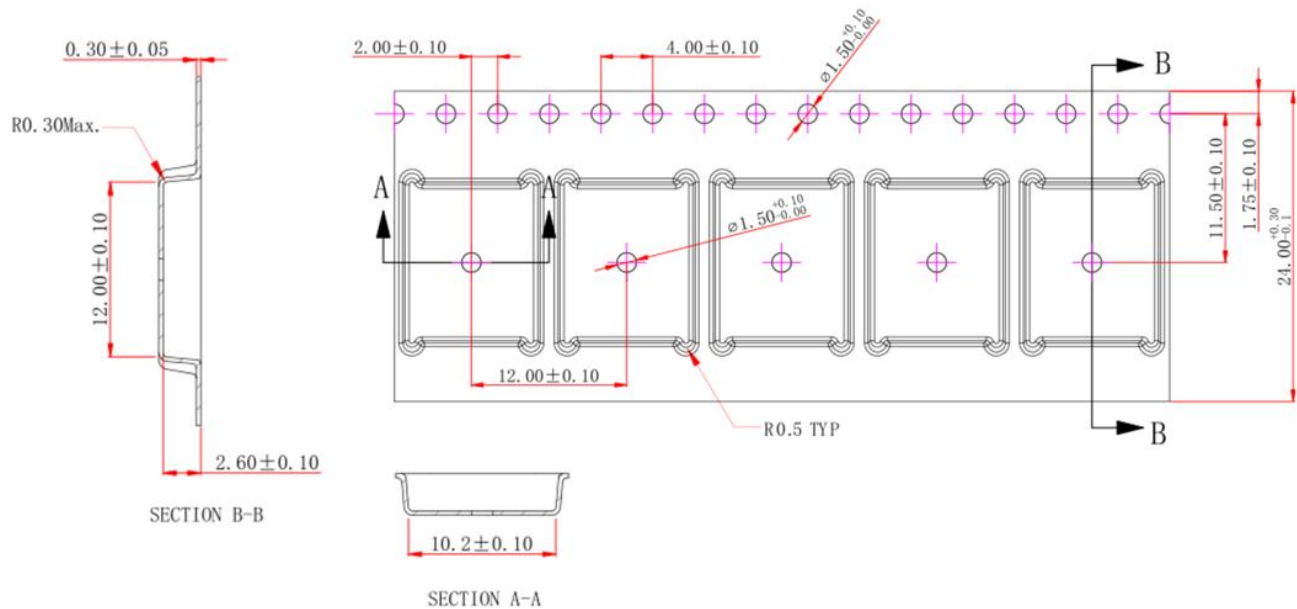
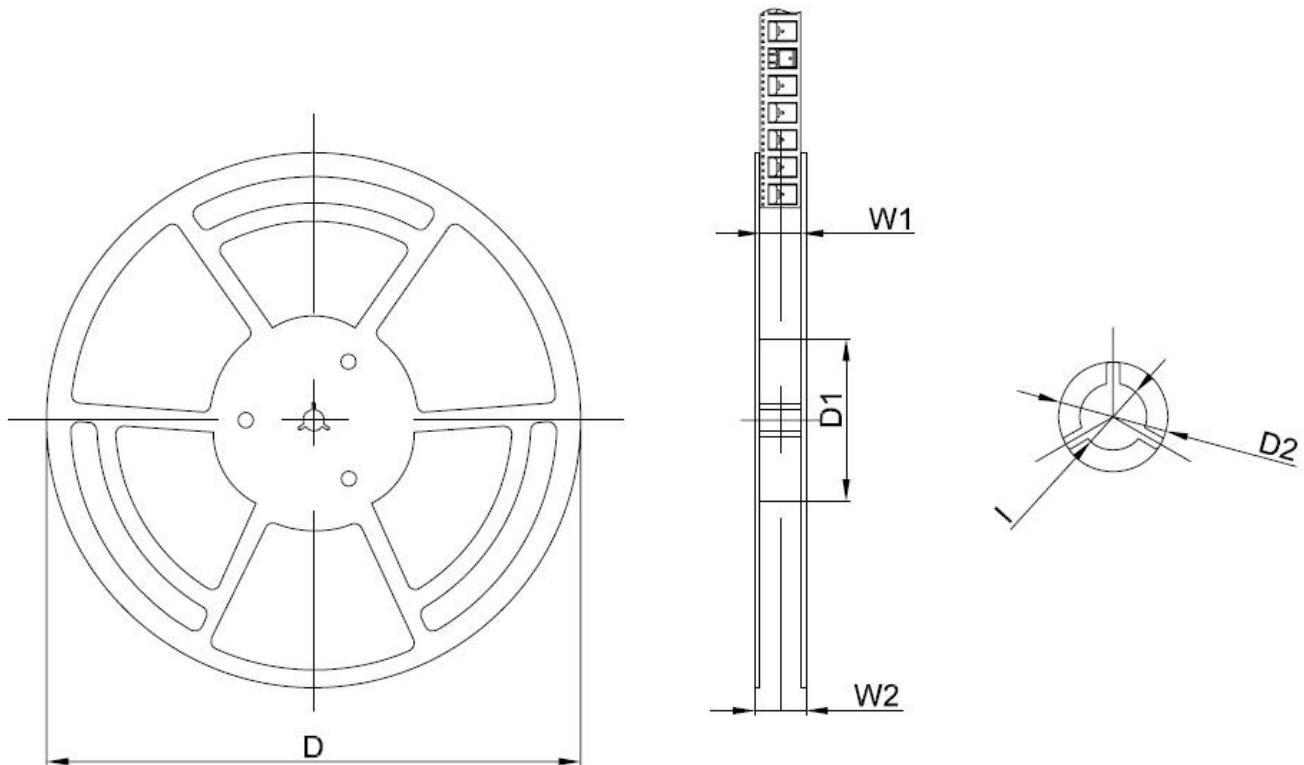


Fig 3. Carrier tape dimensions

5. Reel dimensions



Dimensions are in millimeter						
Reel Option	D	D1	D2	W1	W2	l
13"Dia	Ø330.00	100.00	Ø21.00	24.4	30.4	Ø13.00
Tolerance	+/-2	+/-1	+/-1	+/-1	+/-1	+/-1

Fig 4. Reel dimensions